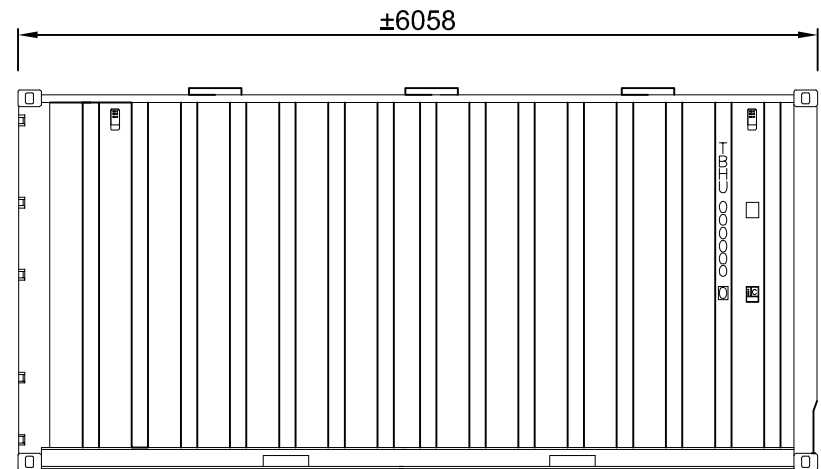
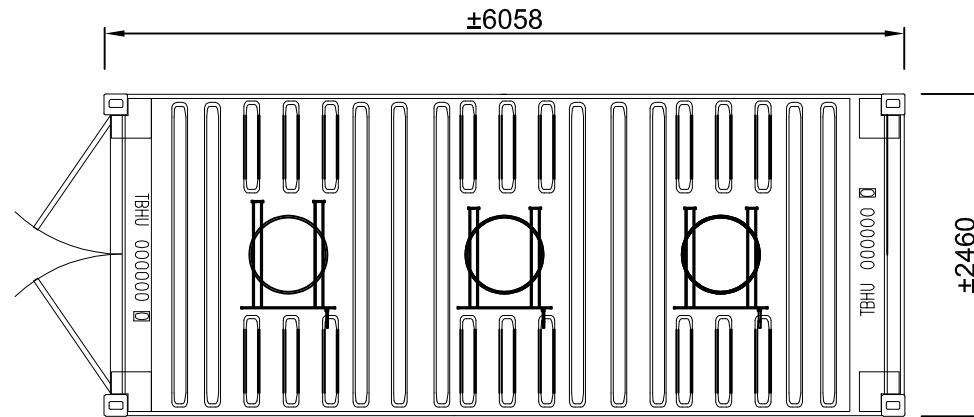


FRONT ELEVATION



SIDE ELEVATION



TOP VIEW

TASBULK

2 WEILY PARK ROAD, BRIGHTON INDUSTRIAL ESTATE
BRIGHTON, TAS 7030
(P) 03 6263 6833 | (E) sales@tasbulk.com.au

© COPYRIGHT 2023

Project 20ft High Cube Bulker Container (2PW)		
Drawing Floorplan and Elevations		
Scale NTS	Drawn R.K	Item Code B20

- Notes:
- Dimensions are indicative only.
 - Drawings are not to be used for construction purposes.
 - Used containers are sold with no guarantees given or implied.